

# SK2

## WITH CLAMPING HUBS

0.1 - 1,800 Nm



### PROPERTIES

#### MATERIAL

- ▶ **Bellows:** high grade stainless steel
- ▶ **Clutch system:** hardened steel
- ▶ **Clamping hubs:** up to size 80 aluminum, size 150 and up steel

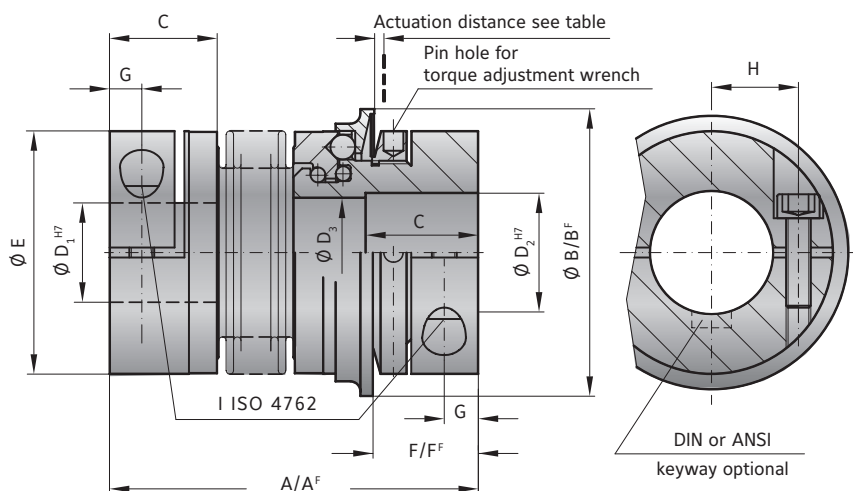
temperature range from -30 to +100° C.

#### AVAILABLE FUNCTION SYSTEMS

- ▶ **W =** Single position / automatic re-engagement (standard)
- ▶ **D =** Multi-position / automatic re-engagement
- ▶ **G =** Load holding / load blocking
- ▶ **F =** Full disengagement / manual re-engagement

#### DESIGN

Two clamping hubs with one clamping screw in each. Clutch system: spring loaded ball-detent principle. Operable



### MODEL SK2

| SIZE   |                                | 1.5                         | 2                      | 4.5              | 10                | 15                 | 30                   | 60                   | 80                   | 150                       | 200                        | 300                           | 500                          | 800                           | 1500                             |
|--|--------------------------------|-----------------------------|------------------------|------------------|-------------------|--------------------|----------------------|----------------------|----------------------|---------------------------|----------------------------|-------------------------------|------------------------------|-------------------------------|----------------------------------|
| Adjustment range available from - to (approx. values) (Nm)               | $T_{KN}$                       | 0.1-0.6<br>0.4-1<br>0.8-1.5 | 0.2-1.5<br>or<br>0.5-2 | 1-3<br>or<br>3-6 | 2-6<br>or<br>4-12 | 5-10<br>or<br>8-20 | 10-25<br>or<br>20-40 | 10-30<br>or<br>25-80 | 20-70<br>or<br>30-90 | 20-70<br>45-150<br>80-180 | 30-90<br>60-160<br>120-240 | 100-200<br>200-350<br>300-500 | 80-200<br>500-800<br>650-850 | 400-650<br>500-800<br>650-850 | 650-800<br>700-1200<br>1000-1800 |
| Adjustment range available from - to (approx. values) ("F" Version) (Nm) | $T_{KN}$                       | 0.3-0.8<br>or<br>0.6-1.3    | 0.2-1<br>or<br>0.7-2   | 2.5-4.5          | 2-5<br>or<br>5-10 | 7-15               | 8-20<br>or<br>16-30  | 20-40<br>or<br>30-60 | 20-60<br>or<br>40-80 | 20-60<br>40-80<br>80-150  | 80-140<br>or<br>130-200    | 120-180<br>or<br>160-300      | 60-150<br>100-300<br>250-500 | 200-400<br>or<br>450-800      | 1000-1250<br>or<br>1250-1500     |
| Overall length (mm)  | A                              | 42                          | 46 51                  | 57 65            | 65 74             | 75 82              | 87 95                | 102 112              | 115 127              | 116 128                   | 128 140                    | 139 153                       | 163 177                      | 190                           | 223                              |
| Overall length, ("F" Version) (mm)                                       | A <sup>F</sup>                 | 42                          | 46 51                  | 57 65            | 65 74             | 75 82              | 87 95                | 102 112              | 117 129              | 118 130                   | 131 143                    | 142 156                       | 167 181                      | 201                           | 232                              |
| Actuation ring Ø (mm)  | B                              | 23                          | 29                     | 35               | 45                | 55                 | 65                   | 73                   | 92                   | 92                        | 99                         | 120                           | 135                          | 152                           | 174                              |
| Actuation ring Ø, ("F" Version) (mm)                                     | B <sup>F</sup>                 | 24                          | 32                     | 42               | 51.5              | 62                 | 70                   | 83                   | 98                   | 98                        | 117                        | 132                           | 155                          | 177                           | 187                              |
| Clamping fit length (mm)   | C                              | 11                          | 13                     | 16               | 16                | 22                 | 27                   | 31                   | 35                   | 35                        | 40                         | 42                            | 51                           | 48                            | 67                               |
| Inside diameter from Ø to Ø H7 (mm)                                      | D <sub>1</sub> /D <sub>2</sub> | 3-8*                        | 4-12*                  | 5-14*            | 6-16*             | 10-26              | 12-30                | 15-32                | 19-42                | 19-42                     | 24-45                      | 30-60                         | 35-60                        | 40-75                         | 50-80                            |
| Diameter (mm)  | D <sub>3</sub>                 | 9.1                         | 12.1                   | 14.1             | 20.1              | 21.1               | 24.1                 | 32.1                 | 36.1                 | 36.1                      | 42.1                       | 58.1                          | 60.1                         | 60.1                          | 68.1                             |
| Outside diameter of coupling (mm)  | E                              | 19                          | 25                     | 32               | 40                | 49                 | 55                   | 66                   | 81                   | 81                        | 90                         | 110                           | 123                          | 134                           | 157                              |
| Distance (mm)  | F                              | 12                          | 13                     | 15               | 17                | 19                 | 24                   | 28                   | 31                   | 31                        | 35                         | 35                            | 45                           | 50                            | 63                               |
| Distance, ("F" Version) (mm)   | F <sup>F</sup>                 | 11.5                        | 12                     | 14               | 16                | 19                 | 22                   | 29                   | 31                   | 30                        | 33                         | 35                            | 43                           | 54                            | 61                               |
| Distance (mm)  | G                              | 3.5                         | 4                      | 5                | 5                 | 6.5                | 7.5                  | 9.5                  | 11                   | 11                        | 12.5                       | 13                            | 17                           | 18                            | 22.5                             |
| Distance between centers (mm)  | H                              | 6                           | 8                      | 10               | 15                | 17                 | 19                   | 23                   | 27                   | 27                        | 31                         | 39                            | 41                           | 2x48                          | 2x55                             |
| Screw ISO 4762   | I                              | M2.5                        | M3                     | M4               | M4                | M5                 | M6                   | M8                   | M10                  | M10                       | M12                        | M12                           | M16                          | 2xM16                         | 2xM20                            |
| Tightening torque (Nm)   | I                              | 1                           | 2                      | 4                | 4.5               | 8                  | 15                   | 40                   | 50                   | 70                        | 120                        | 130                           | 200                          | 250                           | 470                              |
| Approx. weight (kg)  |                                | 0.047                       | 0.07                   | 0.2              | 0.3               | 0.4                | 0.6                  | 1.0                  | 2.0                  | 2.4                       | 4.0                        | 5.9                           | 9.6                          | 14                            | 21                               |
| Moment of inertia (10 <sup>-3</sup> kgm <sup>2</sup> )                   | J <sub>ges</sub>               | 0.01                        | 0.01 0.01              | 0.02 0.02        | 0.06 0.07         | 0.10 0.15          | 0.27 0.32            | 0.75 0.80            | 1.80 1.90            | 2.50 2.80                 | 5.10 5.30                  | 11.5 11.8                     | 22.8 23.0                    | 42.0                          | 83.0                             |
| Torsional stiffness (10 <sup>3</sup> Nm/rad)                             | C <sub>T</sub>                 | 0.7                         | 1.2 1.3                | 7 5              | 9 8               | 20 15              | 39 28                | 76 55                | 129 85               | 175 110                   | 191 140                    | 420 350                       | 510 500                      | 780                           | 1304                             |
| Lateral ± (mm)   | max. values                    | 0.15                        | 0.15 0.20              | 0.20 0.25        | 0.20 0.30         | 0.15 0.20          | 0.20 0.25            | 0.20 0.25            | 0.20 0.25            | 0.20 0.25                 | 0.25 0.30                  | 0.25 0.30                     | 0.30 0.35                    | 0.35                          | 0.35                             |
| Angular ± (Degree)   | max. values                    | 1                           | 1 1.5                  | 1.5 2            | 1.5 2             | 1 1.5              | 1 1.5                | 1 1.5                | 1 1.5                | 1 1.5                     | 1.5 2                      | 1.5 2                         | 2 2.5                        | 2.5                           | 2.5                              |
| Lateral spring stiffness (N/mm)  |                                | 70                          | 40 30                  | 290 45           | 280 145           | 475 137            | 900 270              | 1200 420             | 920 255              | 1550 435                  | 2040 610                   | 3750 1050                     | 2500 840                     | 2000                          | 3600                             |
| Actuation distance (mm)  |                                | 0.7                         | 0.8                    | 0.8              | 1.2               | 1.5                | 1.5                  | 1.7                  | 1.9                  | 1.9                       | 2.2                        | 2.2                           | 2.2                          | 2.2                           | 3                                |

A<sup>F</sup>, B<sup>F</sup>, L<sup>F</sup> = Full disengagement / manual re-engagement version (F)

\* keyway with max. bore only in clamping hub possible.

Larger versions available upon request.