

MK1

WITH RADIAL SET SCREWS

0.05 - 10 Nm



PROPERTIES

FEATURES

- ▶ integral dismounting groove eliminates the need for flats on shafts
- ▶ economical design
- ▶ larger bore diameters in a small size possible

▶ **Hubs:** aluminium

DESIGN

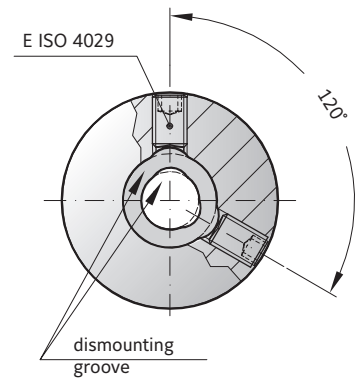
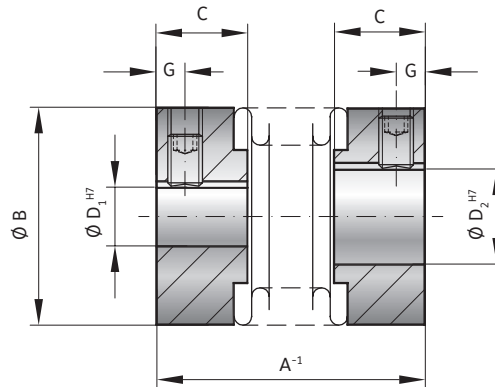
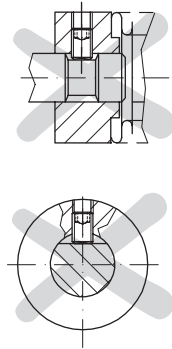
Two hubs with radial set screws concentrically mounted to flexible bellows. Speeds up to 20,000 rpm; over 20,000 with finely balanced version.

MATERIAL

- ▶ **Bellows:** size 0.5 tombac; sizes 1 and up high grade stainless steel

Advantage:

Bore diameters above 4mm have an integral dismounting groove, which provides clearance over any burr which may be kicked up by the set screw, eliminating the need for flats on shafts.



MODEL MK1

SIZE			0.5	1	5	10	15	20	45	100
Rated torque (Nm)	T_{KN}		0.05	0.1	0.5	1.0	1.5	2.0	4.5	10
Overall length (mm)	A^{-1}		14	20	20 23 26	22 25 28	24 29	26 31 35	37 45	43 53
Outside diameter (mm)	B		6.5	10	15	15	19	25	32	40
Fit length (mm)	C		4	5	6.5	6.5	7.5	11	13	15
Inside diameter possible from \varnothing to \varnothing H7 (mm)	$D_{1/2}$		1-3	1-5	3-9	3-9	3-12	3-16	6-22	6-28
Clamping screw ISO 4029			1xM2	1xM2.5	1xM3	1xM3	2xM3	2xM4	2xM5	2xM6
Tightening torque of the fastening screw (Nm)	E		0.35	0.75	1.3	1.3	1.3	2.5	4	6
Distance (mm)	G		1.5	1.8	2	2	2	2.5	3.5	4
Moment of inertia (gcm^2)	$J_{ges.}$		0.1	0.4	1.1 1.2 1.3	1.3 1.8 2	4.7 5.5	15 18 20	65 70	180 220
Approximate weight (g)			1	5	6 6 6	6 7 8	12 14	22 24 26	54 58	106 114
Torsional stiffness (Nm/rad)	C_t		50	70	280 210 170	510 380 320	750 700	1200 1300 1200	7000 5000	9050 8800
Axial (mm)			0.4	0.4	0.4 0.5 0.6	0.4 0.5 0.6	0.5 0.7	0.5 0.6 0.7	0.7 1	1 1.2
Lateral (mm)	Max. values		0.1	0.15	0.15 0.2 0.25	0.15 0.2 0.25	0.15 0.2	0.15 0.2 0.25	0.2 0.25	0.2 0.3
Angular (degree)			1	1	1 1.5 2	1 1.5 2	1.5 1.5	1.5 1.5 2	1.5 2	1.5 2

ORDERING EXAMPLE	MK1	5	26	4.76	5	XX
Model	●					
Size		●				
Overall length mm			●			
Bore D1 H7				●		
Bore D2 H7					●	
For custom features place an XX at the end of the part number and describe the special requirements (e.g. MK1 / 5 / 26 / 4.76 / 5 / XX; XX=finely balanced for 25,000 rpm)						

Special designation only (e.g. high speed balancing).