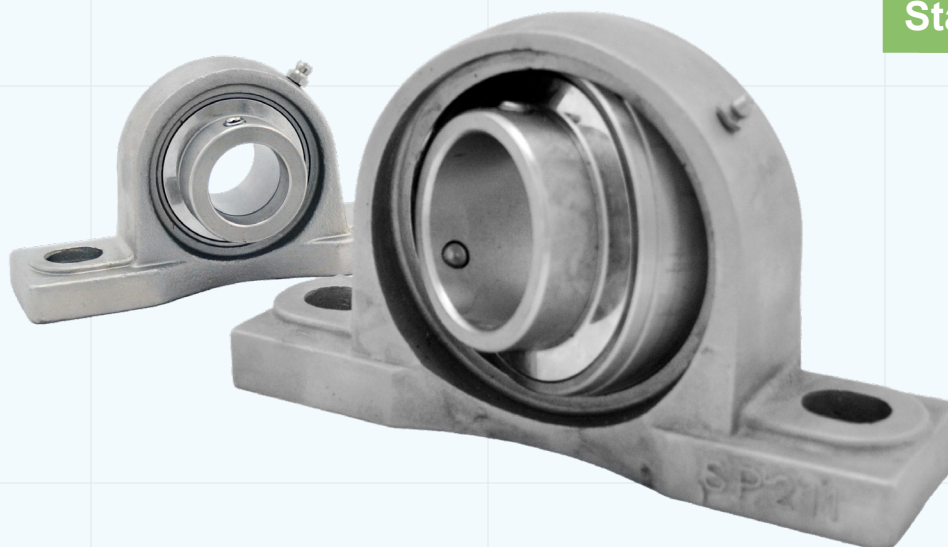
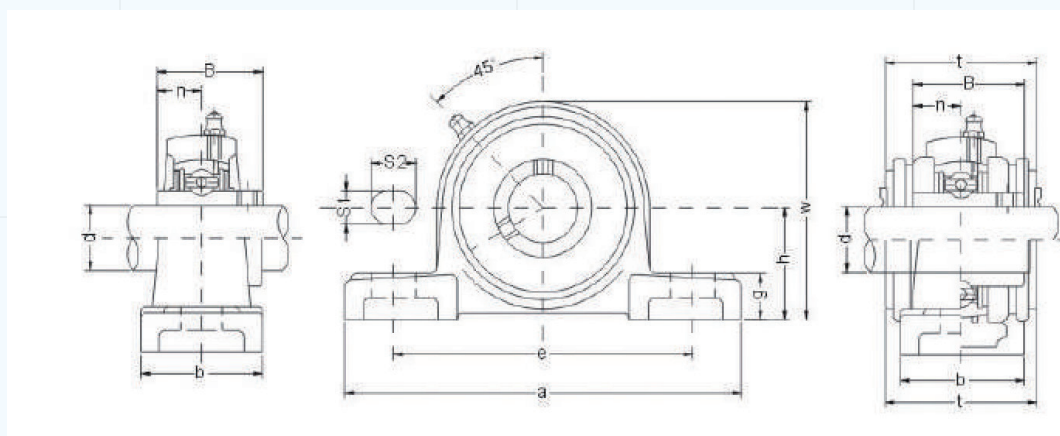


SP - Stainless steel pillow block bearings

Stainless steel



Technical specifications & drawings



Item No.	d	h	a	e	b	S1	S2	g	w	B	n	Bolt size	Weight [kg]
SUCP204S	20	33.3	127	95	38	13	19	14	65	31.0	12.7	M10	0.66
SUCP205S	25	36.5	140	105	38	13	19	15	71	34.1	14.3	M10	0.85
SUCP206S	30	42.9	165	121	48	17	20	17	84	38.1	15.9	M14	1.27
SUCP207S	35	47.6	167	127	48	17	20	18	93	42.9	17.5	M14	1.64
SUCP208S	40	49.2	184	137	54	17	20	18	100	49.2	19.0	M14	1.93
SUCP209S	45	54.0	190	146	54	17	20	20	106	49.2	19.0	M16	2.24
SUCP210S	50	57.2	206	159	60	20	23	21	113	51.6	19.0	M16	2.78
SUCP211S	55	63.5	219	171	60	20	23	23	125	55.6	22.2	M16	3.46
SUCP212S	60	69.8	241	184	70	20	23	25	138	65.1	25.4	M16	5.03

All measurements are in millimeters. When ordering please use the catalogue numbers.

BJ-Gear A/S

Niels Bohrs Vej 47
DK-8660 Skanderborg
Denmark

Phone +45 87 40 80 80
Email bj@bj-gear.com
Website www.bj-gear.com