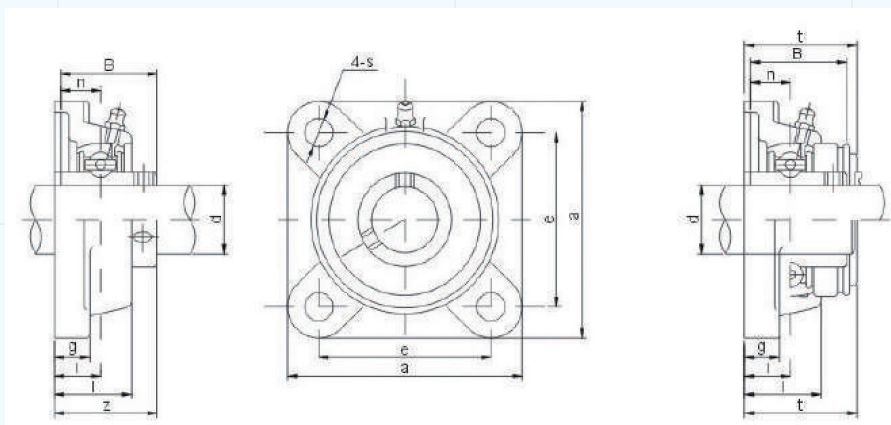


SF - 4-bolt stainless steel flange bearing units

Stainless steel



Technical specifications & drawings



Item no.	d	a	e	i	g	l	s	z	B	n	Bolt size	Weight [kg]
SUCF204S	20	86	64	15	12	25.5	12	33.3	31.0	12.7	M10	0.56
SUCF205S	25	95	70	16	14	27	12	35.8	34.1	14.3	M10	0.84
SUCF206S	30	108	83	18	14	31	12	40.2	38.1	15.9	M10	1.15
SUCF207S	35	117	92	19	16	34	14	44.4	42.9	17.5	M12	1.52
SUCF208S	40	130	102	21	16	36	16	51.2	49.2	19.0	M14	1.88
SUCF209S	45	137	105	22	18	38	16	52.2	49.2	19.0	M14	2.25
SUCF210S	50	143	111	22	18	40	16	54.6	51.6	19.0	M14	2.54
SUCF211S	55	162	130	25	20	43	19	58.4	55.6	22.2	M16	3.46
SUCF212S	60	175	143	29	20	48	19	68.7	65.1	25.4	M16	4.41

All measurements are in millimeters. When ordering please use the catalogue numbers.

BJ-Gear A/S

Niels Bohrs Vej 47
DK-8660 Skanderborg
Denmark

Phone +45 87 40 80 80
Email bj@bj-gear.com
Website www.bj-gear.com