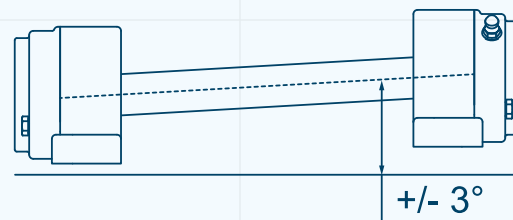
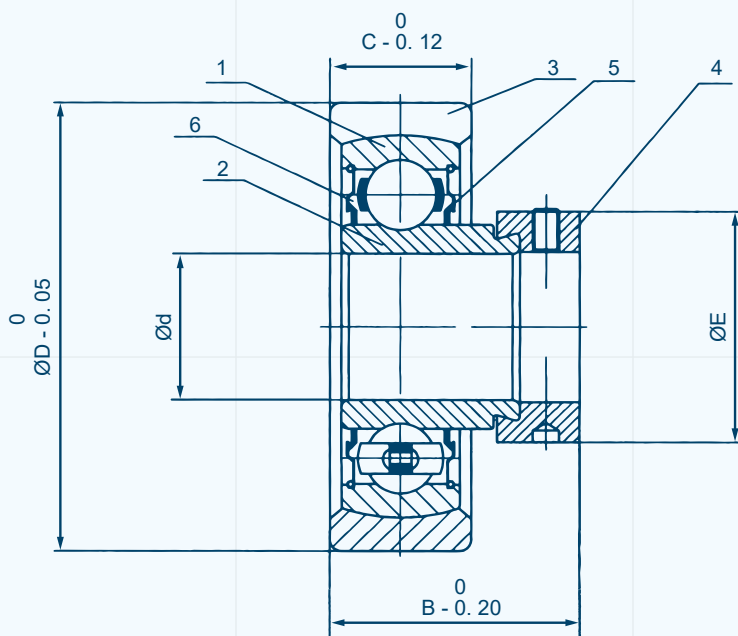


Technical specifications & drawings NG bearing units

Manufactured in Denmark



The construction permits a misalignment of the bearing, of up to $\pm 3^\circ$



Diameter tolerance: h11
Surface roughness: Recommended $0,2 \mu\text{m} - 0,8 \mu\text{m Ra}$
Hardness: Min. 45 HRC

Technical specifications

1. Outer ring	1. Outer ring
2. Inner ring	2. Inner ring
3. Cover ring	3. Cover ring
4. Eccentric collar	4. Eccentric collar
5. Sealings	5. Sealings
6. Grease	6. Grease

Operating temperature: -30°C to $+100^\circ\text{C}$ briefly.

NG spherical radial insert bearing with:

- Stainless steel inner ring
- Stainless steel balls
- Adjustable stainless cover ring
- Stainless steel eccentric locking collar
- Stainless steel P-sealings

Technical specifications	NG 20	NG 25	NG 30	NG 35	NG 40	NG 50	NG 60
d [mm]	20,00	25,00	30,00	35,00	40,00	50,00	60,00
D [mm]	55,00	62,00	72,00	80,00	90,00	100,00	120,00
B [mm]	31,50	32,00	37,20	40,00	45,20	46,50	55,30
C [mm]	16,00	17,00	21,00	21,00	25,00	26,00	28,00
E [mm]	33,00	37,50	44,00	51,00	58,00	70,00	83,50
m [kg]	0,24	0,31	0,49	0,64	0,89	1,07	1,78

m (mass)

BJ-Gear A/S

Niels Bohrs Vej 47
DK-8660 Skanderborg
Denmark

Phone +45 87 40 80 80
Email bj@bj-gear.com
Website www.bj-gear.com