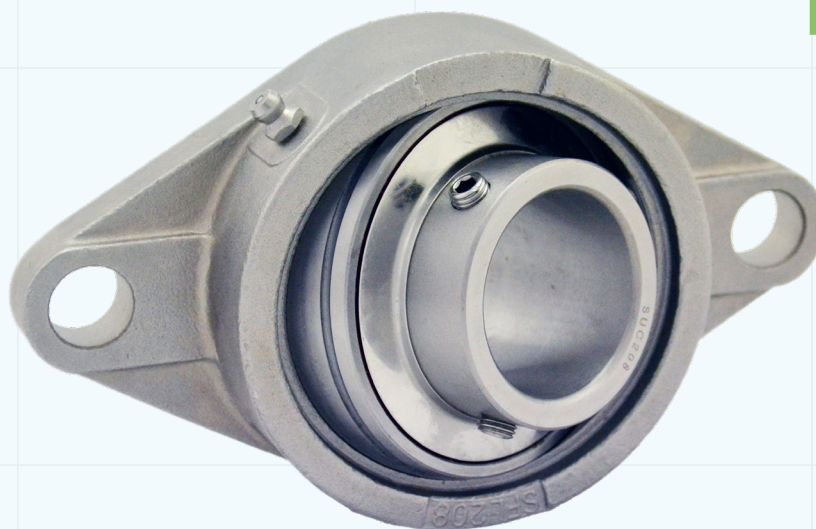
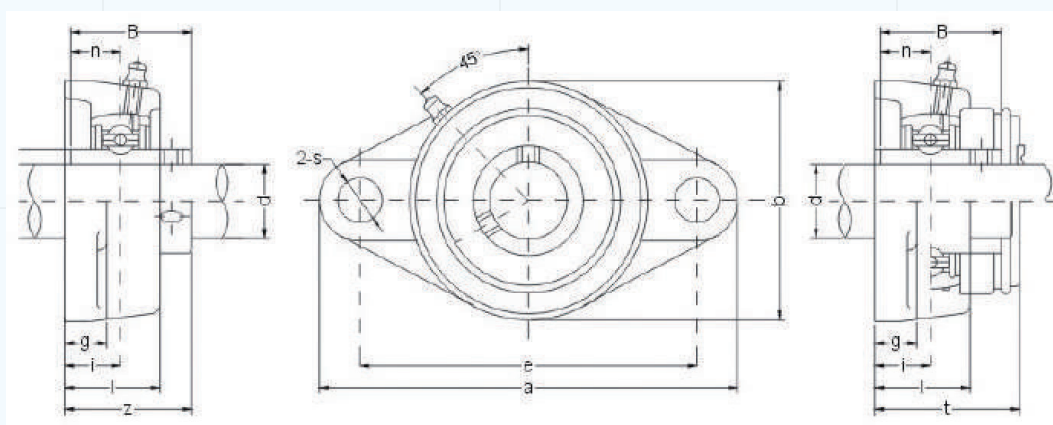


SFL - 2-bolt stainless steel flange bearings

Stainless steel



Technical specifications & drawings



Item No.	d	a	e	i	g	l	S	b	z	B	n	Bolt size	Weight [kg]
SUCFL204S	20	113	90	15	11	25.5	12	60	33.3	31.0	12.7	M10	0.41
SUCFL205S	25	130	9	16	13	27	16	68	35.8	34.1	14.3	M14	0.62
SUCFL206S	30	148	117	18	13	31	16	80	40.2	38.1	15.9	M14	0.89
SUCFL207S	35	161	130	19	14	34	16	90	44.4	42.9	17.5	M14	1.14
SUCFL208S	40	175	144	21	14	30	16	90	51.2	49.2	19.0	M14	1.48
SUCFL209S	45	188	148	22	15	38	19	108	52.2	49.2	19.0	M16	1.84
SUCFL210S	50	197	157	22	15	40	19	115	54.6	51.6	19.0	M16	2.22
SUCFL211S	55	224	184	25	18	43	19	130	58.4	55.6	22.2	M16	3.06
SUCFL212S	60	250	202	29	18	48	23	140	68.7	65.1	25.4	M20	3.87

All measurements are in millimeters. When ordering please use the catalogue numbers.

BJ-Gear A/S

Niels Bohrs Vej 47
DK-8660 Skanderborg
Denmark

Phone +45 87 40 80 80
Email bj@bj-gear.com
Website www.bj-gear.com