

T2A63B-4 0,18KW 230/400V B14 ATEX ZON 2/22

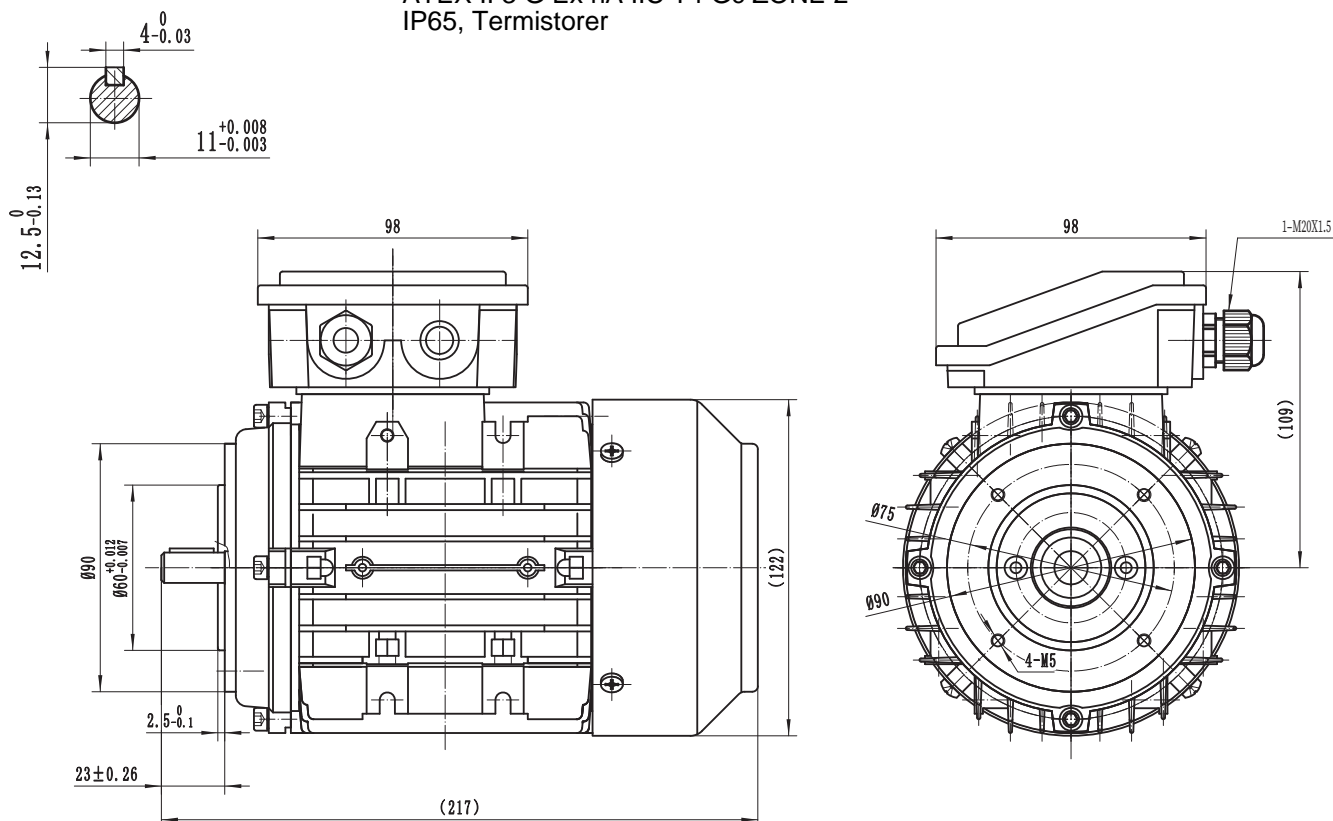
Three-phase asynchronous motor in aluminum

Motor type T2A63B-4 0,18KW 230/400V B14 ATEX ZON 2/22
 Brand BUSCK
 Item number Q3040643e

Voltage V	Power kW	Frequency Hz	Current A	Speed rpm
230	0,12	50	0,77	1395
400	0,12	50	0,44	1395
460	0,14	60	0,44	1674

Duty	S1	Efficiency class	IE2
Enclosure	IP65	Efficiency, load 100%	60,1
Insulation class	F	Efficiency, load 75%	56,7
Cooling	IC411 (TEFC)	Efficiency, load 50%	48,2
Max. ambient temp.	40°C	Power fact, load 100%	0,65
Min. ambient temp.	-20°C	Painting	Standard
Max. temp. rise	80 K	Color	RAL 9005
Max altitude, masl	1000	Weight kg	4
Torque, Nm	0,82	Sound pressure Lp dB(A)	52
Starting torque ratio	2,2	Bearing DE	6201 2RZ C3
Pull up torque ratio	1,7	Bearing NDE	6201 2RZ C3
Pull out torque ratio	2,3	Balance grade	Normal
Starting current ratio	3,5	Inertia kgm ²	0,00027
Winding protection	Thermistors	Cable entries	1xM20

Note ATEX II 3 D Ex tc IIIC T125°C Dc ZONE 22
 ATEX II 3 G Ex nA IIC T4 Gc ZONE 2
 IP65, Termistorer



BUSCK
 www.busck.eu

Busck & Co AB
 Gamla Riksvägen 14
 428 32 Göteborg
 Sweden
 556027-1990
 info@busck.se

Busck & Co ApS
 Postboks 108
 0900 København C
 Denmark
 info@busck.eu

Busck AS
 Skibåsen 35C
 4636 Kristiansand
 Norway
 info@busck.no