

X62N



410Nm

BVN Series

Full stainless steel helical gearboxes

The dynamic efficiency is 0.96 for all ratios

Input speed (n1) = 1400 min-1

Output speed n ₂ [min-1]	Ratio i	Motor power P _{1M} [kW]	Output torque M _{2M} [Nm]	Service factor f.s	Nominal power P _{1R} [kW]	Nominal torque M _{2R} [Nm]	B5 motor flanges			B14 motor flanges			Output shaft 	Ratio code 
							-	-	-R	-T	-U	80		
232	6.03	4	155	1.6	6.1	240							3011	01
151	9.26	4	238	1.1	4.5	270							308	02
123	11.36	4	291	1.2	4.7	350							2011	03
91	15.36	4	394	1.0	3.8	385							1611	04
80	17.46	3	448	0.9	3.5	400							208	05
70	19.97	3	386	1.1	3.1	410							1311	06
59	23.60	3	456	0.9	2.7	410							168	07
57	24.45	2.2	472	0.9	2.6	410							1111	08
45.6	30.69	1.5	436	0.9	2.0	410							138	09
39.6	35.35	1.5	346	1.2	1.8	410							811	10
37.3	37.57	1.1	368	1.1	1.7	410							118	11
28.8	48.68	1.1	348	1.0	1.1	365							611	12
25.8	54.33	0.75	389	1.1	1.2	410							88	13
18.7	74.81	0.12*	367	1.0	0.73	360							68	14

Motor flanges available



B) Supplied with reduction bushing

B) Available on request without reduction bushing



C) Motor flange holes position

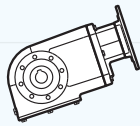
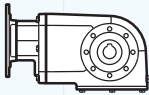
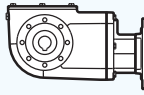
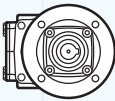
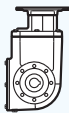
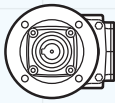
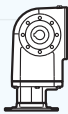
Lubrication

Unit X62N is supplied with synthetic oil to assure long life lubrication.

Food grade oil is available on request.

See Table 1 for lubrication and recommended quantity.

See Table 2 for possible radial and axial loads on the gearbox.

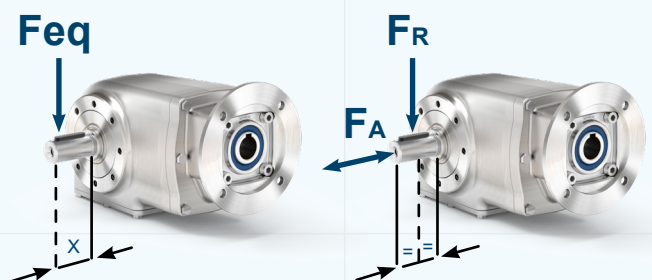
Shell Omala S4 WE 320	Eni Telium VSF 320	V8 On request ASK	
B3 Standard 1.05 L		B8 On request 1.90 L	
B6 On request 1.85 L		V5 On request 3.20 L	
B7 On request 1.70 L		V6 On request 2.25 L	

Radial and axial loads

Output shaft

n ₂ [min-1]	Fa [N]	Fr [N]
250	600	3000
150	700	3500
100	780	3900
75	890	4450
50	1140	5700
25	1330	6650
15	1660	8300

$$F_{eq} = F_R \cdot \frac{168}{X + 138}$$



X62N

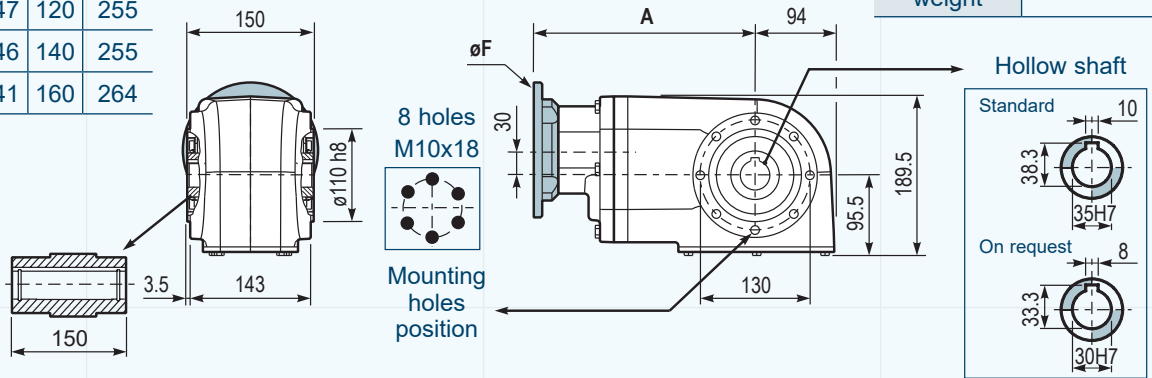
410Nm

PX62NI FB

Basic gearbox

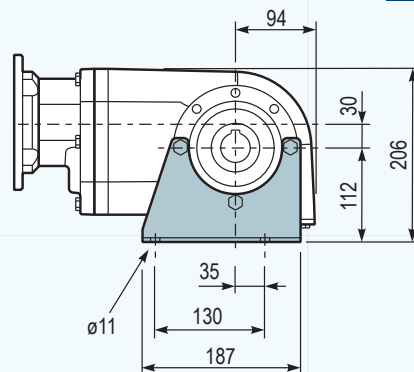
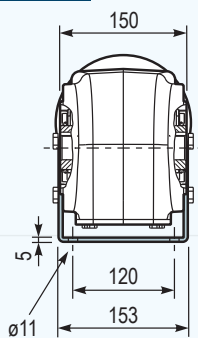
M. flanges	Kit code	øF	A
80B14	KI854047	120	255
90B14	KI854046	140	255
100-112B14	KI854041	160	264

Gearbox weight	23.2 kg
----------------	---------



PX62N PA

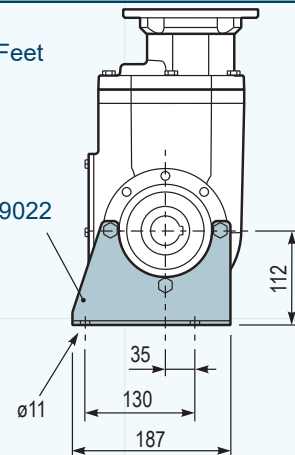
Feet



PX62N PV

Feet

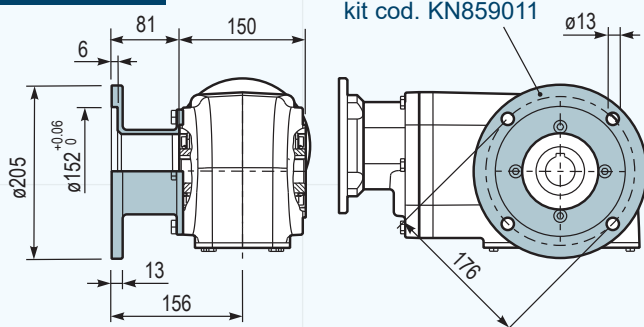
kit cod. KX6N9022



PX62N-FL

Output flange

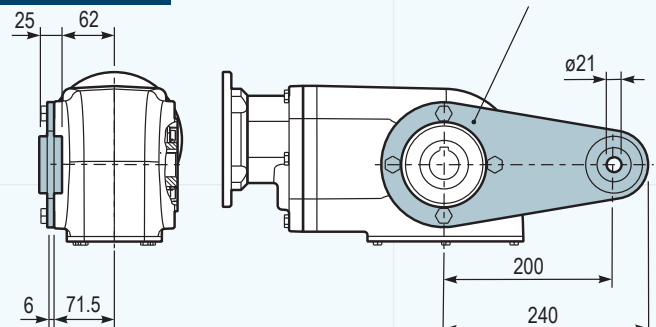
kit cod. KN859011



PX62N BR

Reaction arm

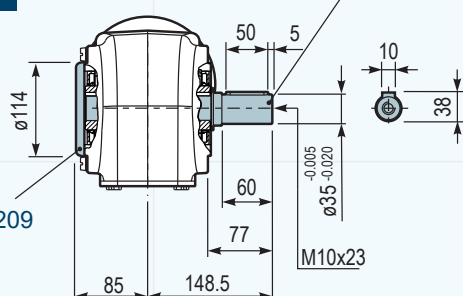
kit cod. KN859027



PX62N A

Single output shaft

kit cod. KIX6A5028



kit cod. KN850209
Protection cap
(on request)

Suggested

Stainless steel protection cap
(on request).

kit cod. KN850209

