

# X73N


675Nm

## BVN Series

## Full stainless steel helical gearboxes

The dynamic efficiency is 0.94 for all ratios

Input speed (n1) = 1400 min-1

Output speed n <sub>2</sub> [min-1]	Ratio i	Motor power P <sub>1M</sub> [kW]	Output torque M <sub>2M</sub> [Nm]	Service factor f.s	Nominal power P <sub>1R</sub> [kW]	Nominal torque M <sub>2R</sub> [Nm]	B5 motor flanges		B14 motor flanges			Output shaft 	Ratio code
							-	-	-R	-T	-U		
							-	-	71	80	90		
176	7.94	4	200	1.9	7.5	380						302418	01
153	9.13	4	229	1.7	6.7	390						302416	02
131	10.66	4	268	1.5	6.0	410						302414	03
94	14.97	4	376	1.5	6.0	580						202418	04
81	17.21	4	432	1.4	5.4	600						202416	05
69	20.24	4	509	1.3	5.2	675						162418	06
60	23.27	4	585	1.2	4.5	675						162416	07
53	26.31	4	661	1.0	4.0	675						132418	08
46.3	30.25	3	760	0.9	3.5	675						132416	09
39.6	35.32	3	668	1.0	3.0	675						132414	10
37.8	37.03	2.2	701	1.0	2.8	675						112416	11
32.4	43.23	2.2	602	1.1	2.4	675						112414	12
30.1	46.58	2.2	649	1.0	2.3	675						82418	13
26.1	53.55	1.5	746	0.9	2.0	675						82416	14
22.4	62.52	1.1	600	1.1	1.7	675						82414	15
19.0	73.75	1.1	517	1.1	1.2	580						62416	16
16.3	86.09	0.25*	604	1.1	1.2	675						62414	17

Motor flanges available



B) Supplied with reduction bushing

B) Available on request without reduction bushing



C) Motor flange holes position

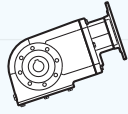
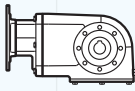
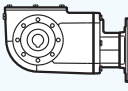
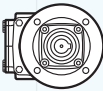
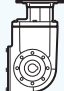
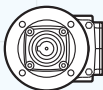
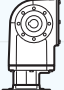
### Lubrication

Unit X73N is supplied with synthetic oil to assure long life lubrication.

Food grade oil is available on request.

See Table 1 for lubrication and recommended quantity.

See Table 2 for possible radial and axial loads on the gearbox.

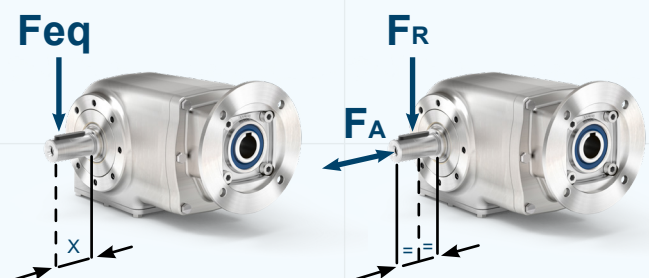
Shell	Eni	V8	
Omala S4 WE 320	Telium VSF 320	On request ASK	
B3 Standard 1.60 L		B8 On request 2.90 L	
B6 On request 2.80 L		V5 On request 4.60 L	
B7 On request 2.10 L		V6 On request 3.30 L	

### Radial and axial loads

Output shaft

n <sub>2</sub> [min-1]	Fa [N]	Fr [N]
300	1360	6800
250	1400	7000
200	1440	7200
140	1480	7400
120	1520	7600
85	1560	7800
70	1720	8600
40	1840	9200
15	1920	9600

$$F_{eq} = F_R \cdot \frac{178.5}{X + 145.5}$$



# X73N

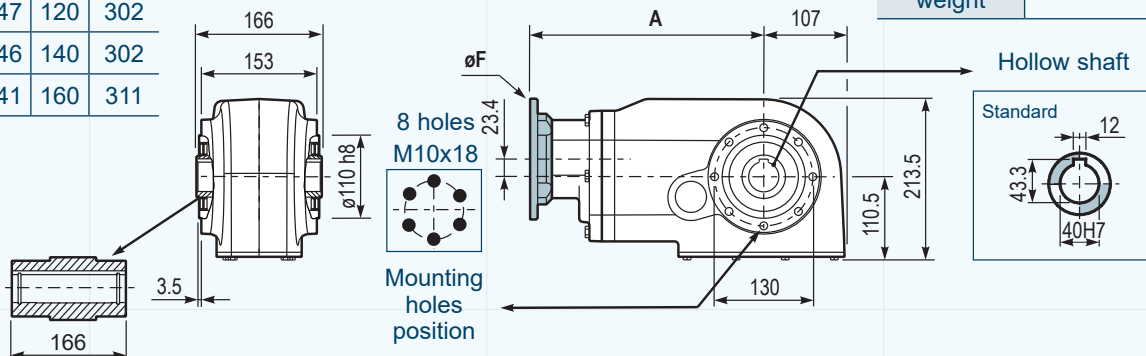
675Nm

## PX73NI FB

Basic gearbox

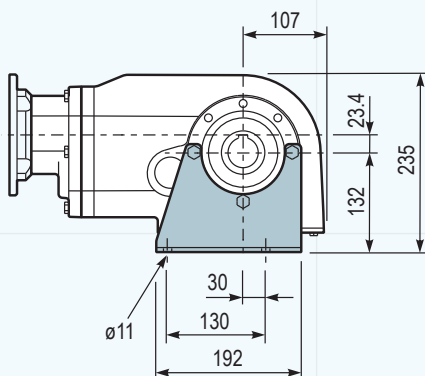
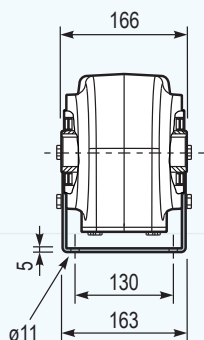
M. flanges	Kit code	øF	A
80B14	KI854047	120	302
90B14	KI854046	140	302
100-112B14	KI854041	160	311

Gearbox weight	31.0 kg
----------------	---------



## PX73N PA

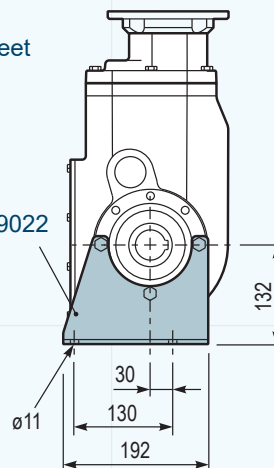
Feet



## PX73N PV

Feet

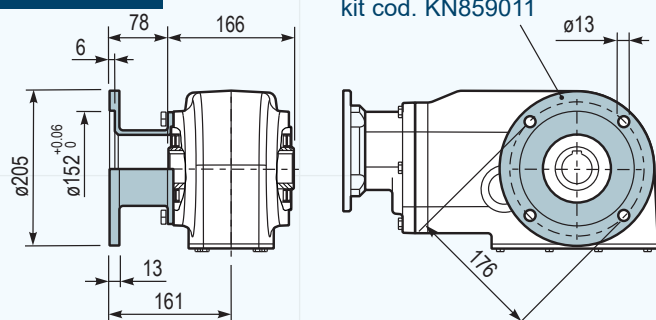
kit cod. KX7N9022



## PX73N-FL

Output flange

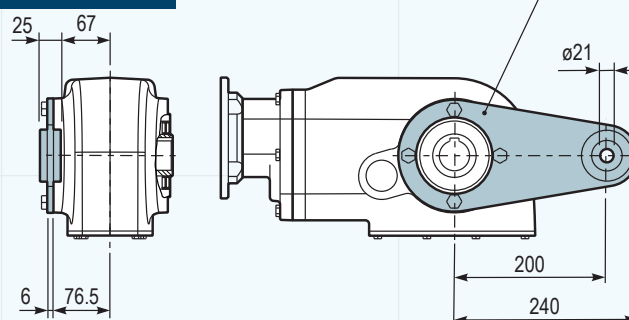
kit cod. KN859011



## PX73N BR

Reaction arm

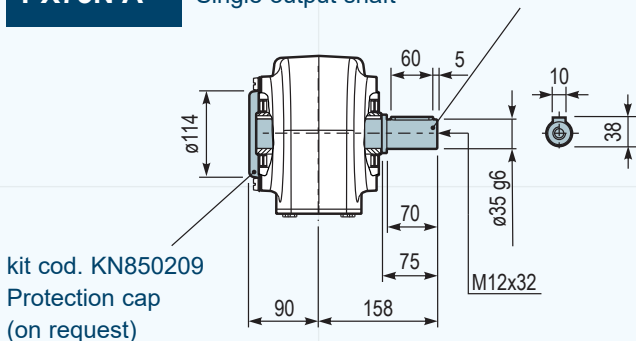
kit cod. KN859027



## PX73N A

Single output shaft

kit cod. KIX7C5028



kit cod. KN850209  
Protection cap  
(on request)

## Suggested

Stainless steel protection cap  
(on request).

kit cod. KN850209

