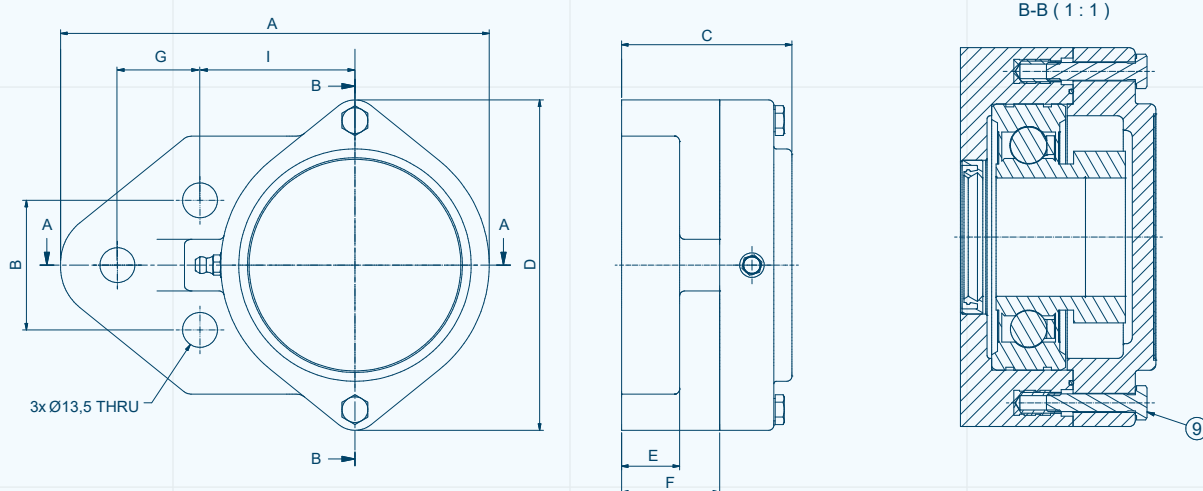


## F3 - 3-bolt flange bearing units

Waterproof



### Technical specifications & drawings



TYPE FBL	Item no. closed cover	Item no. open cover	A	B	C	D	E	F	G	H	I	S	Weight [kg]
Ø20 mm	NGB20F30	NGB20F31	109,2	38,1	51	93	22,5	29	22,2	42,9	42,9	11,5	0,264
Ø25 mm	NGB25F30	NGB25F31	123,5	41,3	52	100	22,5	30	28,6	46	46	11,5	0,316
Ø30 mm	NGB30F30	NGB30F31	140,5	47,6	58	110	22,5	34	31,8	52,4	52,4	11,5	0,437
Ø35 mm	NGB35F30	NGB35F31	156,5	50,2	60	118	22,5	33,5	31,8	60	60,3	13,5	0,509
Ø40 mm	NGB40F30	NGB40F31	166	50,8	66	128	22,5	38	32	60,3	60	13,5	0,639

All measurements are in millimeters. When ordering please use the catalogue numbers.

#### BJ-Gear A/S

Niels Bohrs Vej 47  
DK-8660 Skanderborg  
Denmark

Phone +45 87 40 80 80  
Email [bj@bj-gear.com](mailto:bj@bj-gear.com)  
Website [www.bj-gear.com](http://www.bj-gear.com)